



MAKING A GLOBAL IMPACT

CLAYDON BUSINESS PARK, GIPPING ROAD, GREAT BLAKENHAM, IPSWICH, SUFFOLK IP6 0NL ENGLAND
 TELEPHONE: +44 (0) 1473 830431 EMAIL: SALES@BSPIF.CO.UK WWW.BSP-IF.CO.UK

CG HYDRAULIC HAMMER



CG240 DRIVING CONCRETE PILES



CG300, LEADER MOUNTED ON A BARGE,
DRIVING STEEL TUBE PILES



CG300 DRIVING 2.5M DIAMETER STEEL TUBES

The CG range of piling hammers is designed for driving a variety of bearing piles including steel tube, combi piles, 'H' sections and reinforced / pre stressed concrete piles. Operated from piling rig leaders or crane suspended, the CG range has the following important features:

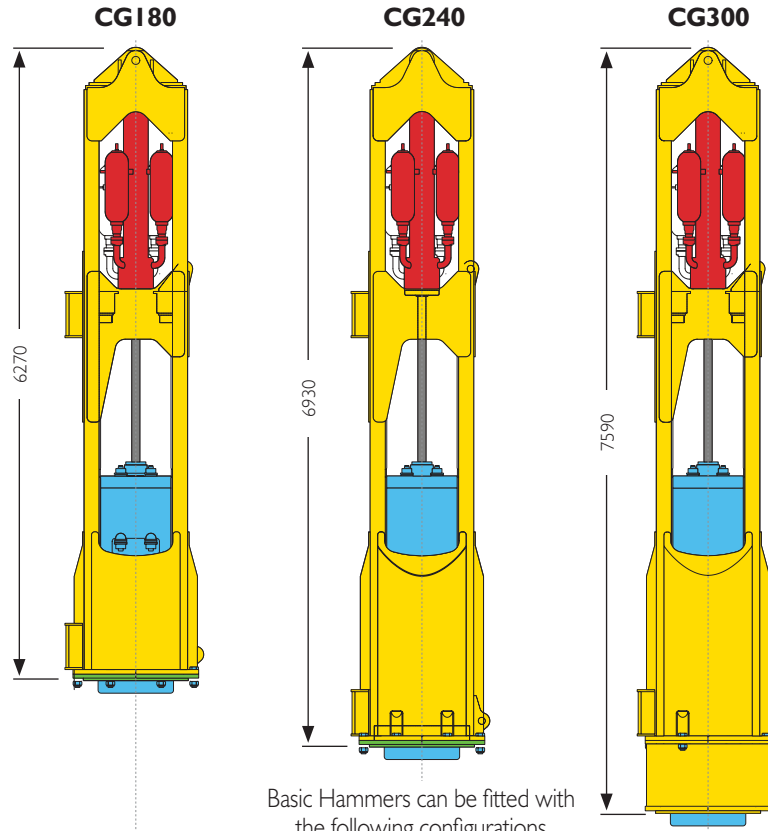
- Total control of hammer stroke and blow rate
- Allows precise matching of energy to suit the pile driving requirements
- Simple fast dolley changing
- Cylinder and dropweight connection with shock absorber, easily accessible
- Economical - Low hydraulic power requirement
- Available with BSP Hydropacks for optimum hammer performance
- Can drive piles with ultimate load bearing up to 14,500 kN
- Suitable for driving Raked (Batter) Piles

PERFORMANCE DATA	RAM MASS	MAX. IMPACT ENERGY	BLOW RATE @ RATED ENERGY	OPERATING PRESSURE	HYDRAULIC FLOW REQUIRED
MODEL	Kg	kNm	bpm	Bar	L/min
CG180	12000	176	36	180	380
CG210	14000	206	36	280	420
CG240	16000	235	34	280	420
CG300	20000	294	34	280	420

The above weights and dimensions are given as a typical guide and are nominal. Designs can vary to suit customer specific applications and pile type. Contact BSP IF for greater detail. Performance related to use with BSP Hydropacks.

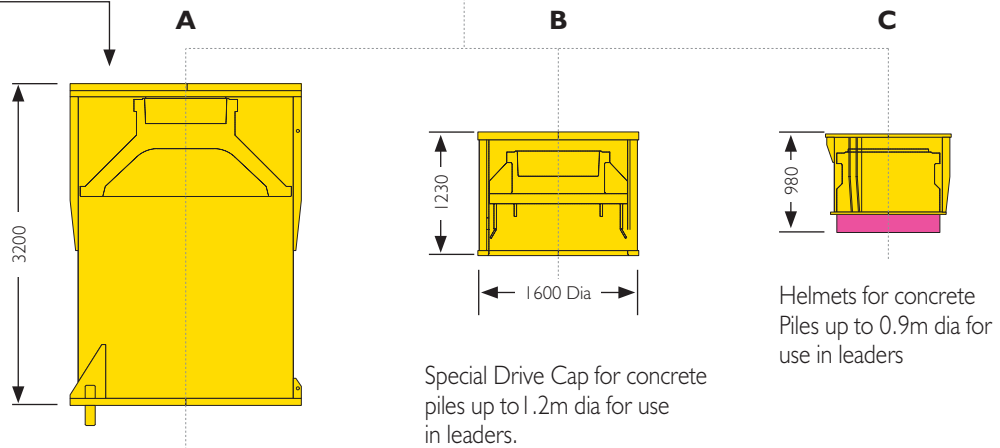
CG TECHNICAL DATA

**Body width for
CG Hammers:**
1250 sq



Pile guide for use freely
suspended, vertically or raked.
Versions available to suit:
1.5m max dia tubes or
3.0m max dia tubes.

Basic Hammers can be fitted with
the following configurations



Special Drive Cap for concrete
piles up to 1.2m dia for use
in leaders.

Standard Drive Cap, Helmet & Pile Guide options. Other options available upon request. (Dimensions are mm).

TYPICAL DIMENSIONS	BASIC HAMMER	HAMMER IN CONFIGURATION (A)		HAMMER IN CONFIGURATION (B)		HAMMER IN CONFIGURATION (C)	
MODEL	WEIGHT Kg	TOTAL LENGTH (mm)	TOTAL WEIGHT (Kg)	TOTAL LENGTH (mm)	TOTAL WEIGHT (Kg)	TOTAL LENGTH (mm)	TOTAL WEIGHT (Kg)
CG180	17300	9050 (ø1.5m guide)	23750	7500	23150	7250	20880
CG210	19350	9370 (ø1.5m guide)	25800	7830	25200	7580	22930
CG240	21700	9810 (ø2.0m guide)	34200	8160	27550	7910	29500
CG300	26000	11310 (ø2.4m guide)	46000	8820	31850	8570	33500

The above weights and dimensions are given as a typical guide and are nominal. Designs can vary to suit customer specific applications and pile type. Contact BSP IF for greater detail.