



MAKING A GLOBAL IMPACT

Claydon Business Park, Gipping Road, Great Blakenham, Ipswich, Suffolk IP6 0NL England
 Telephone: +44 (0) 1473 830431 Fax: +44 (0) 1473 832019 email: sales@bspif.co.uk www.bsp-if.com

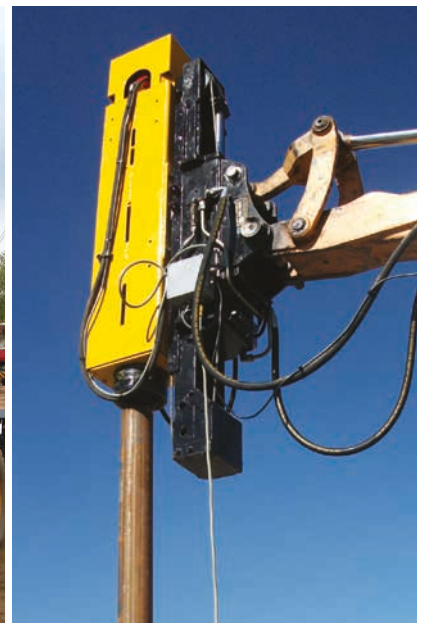
BH HYDRAULIC HAMMER



BH120 DRIVING STEEL PILES



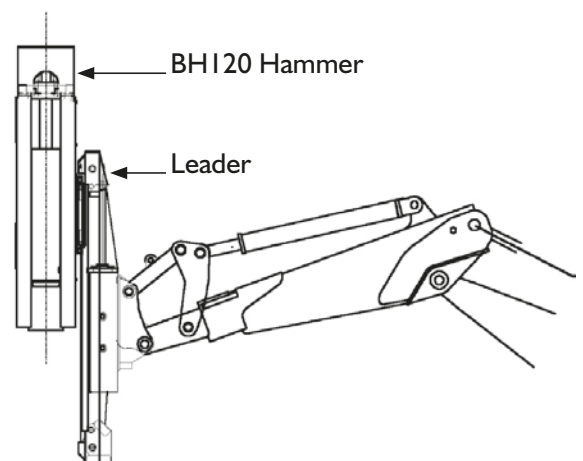
BH120 IN TRANSPORT MODE



BH120 DRIVING STEEL PILES

The BSP BH120 is a compact, high Performance, versatile Hydraulic Hammer specifically designed for driving small sheet piles, small bearing piles and general post driving. The BH120 has the following important features:

- Total control of hammer stroke and blow rate
- Allows precise matching of energy to suit the driving requirements
- Fast blow rate for high productivity
- Manual, Tamp and auto control modes
- Quick coupler for bucket to hammer attachment within minutes
- Suitable for transportation on machine around site or on highways
- Can be fitted to an Excavator or Back hoe as shown
- Choice of metal or plastic drive caps
- Round, square, rectangular and H section Posts can all be driven
- Suitable for post and pile materials of wood, concrete and metal
- Low hydraulic flow demand – low fuel consumption



DROPWEIGHT MASS	MAX. POTENTIAL ENERGY	BLOW RATE ***	BASIC HAMMER LENGTH	BASIC HAMMER WIDTH	HAMMER WEIGHT (W/O LEADER)	LEADER WEIGHT	HYDRAULIC SUPPLY REQ.	HYDRAULIC SUPPLY TO HAMMER
Kg	Nm(J)	bpm	m	m	Kg	Kg	L/min @ Bar	Regulated by
100	1200	120-150	1.5	0.35	500	250	20-40 @ 160	Integrated Valve

*** Blow rate dependant on driving conditions.

BH TECHNICAL DATA

- The BH-120 is shown here mounted on the leader
- Leader allows up to 1.5m of hammer movement before backhoe re-positioning is required
- Leader can be connected to directly to bucket linkage or by a quick hitch coupler system
- Typical Pile / Post sizes up to 165dia x 3.5M length
- 2 quick release coupling connections

TYPICAL APPLICATIONS

HIGHWAY CONSTRUCTION MAINTENANCE HOUSE BUILDING RAILWAY, DEFENCE

Motorway barrier Posts, Boundary Fencing
Sign/Direction Posts, Mini Piling for house building
Mini piling for subsidence rectification
Piling for Foundation support
Sheet Piling for retention of banks, trenches
& embankments, Security fencing

AGRICULTURE HORTICULTURE FORESTRY

Sheet piling of river banks, waterways & Slurry lagoons
Stock fencing, Vine Supports, Gate Posts
Bank Stabilisation for ponds & reservoirs
Show Jumping fences

LOCAL AUTHORITY SPORT & LEISURE

Sport Pitch Fencing, Lighting Posts
Ball Catch Fencing
Temporary sheet piles for trench support during
construction & repair of utility services

RENEWABLE ENERGY

Tube piles for solar panel and small wind
turbine foundations

